

## Industrial Lockers Cabinet with 18 units



With ventilation Louvers, with staple Locking arrangements. Also available built-in lock arrangements SSS-012

Cabinet size		
Height	Width	Depth
1980 mm (78")	914 mm (36")	483 mm (19")

## Industrial Lockers Cabinet



Locker size		
Height	Width	Depth
<b>SRLC - 009: Six Lockers</b>		
914 mm (36")	305 mm (12")	432 mm (17")
<b>SRLC - 010: Eight Lockers</b>		
457 mm (18")	457 mm (18")	432 mm (17")
<b>SRLC - 011: Twelve Lockers</b>		
457 mm (18")	305 mm (12")	432 mm (17")
<b>SRLC - 012: Eighteen Lockers</b>		
305 mm (12")	305 mm (12")	432 mm (17")
<b>SRLC - 013: Twenty Four Lockers</b>		
914 mm (36")	305 mm (12")	432 mm (17")
<b>SRLC - 009: Six Lockers</b>		
228 mm (9")	305 mm (12")	432 mm (17")

# SPAS STORAGE SOLUTIONS

## Personal Lockers (with 6,4 2 and 1 unit)



With ventilation Louvers, with staple locking arrangements, also available built-in lock, front index.

Cabinet size		
Height	Width	Depth
1855 mm (73")	380 mm (15")	485 mm (19")

## Pigeon Hole Cupboard (regular cupboard)



Can be provided with Pigeon holes as per requirement.

Cabinet size		
Height	Width	Depth
1980 mm (78")	914 mm (36")	483 mm (19")

## SSS - 002



Regular Cupboard with full locker, with and without mirror.

Cabinet size			
Outside dimensions Approx	Height	Width	Depth
SRCB - 002	1980 mm (78")	914 mm (36")	483 mm (19")

**SSS 006**



Steel minor cupboard with locker

Cabinet size			
Outside dimensions Approx	Height	Width	Depth
SRCB - 006	1265 mm (50")	759 mm (30")	430 mm (17")

**SSS - 004**



Steel major cupboard with vertical partition, Locker & 2

Cabinet size			
Outside dimensions Approx	Height	Width	Depth
SRCB - 004	1980 mm (78")	1016 mm (40")	559 mm (22")



Clerical Table  
SSST – 020  
48”L x 24”D x 30”H



Clerical Table  
SSST – 020  
48”L x 24”D x 30”H

# SPAS STORAGE SOLUTIONS



Typist table  
SSST - 021  
36"L x 24"D x 30"H



Executive table  
SSST - 018  
66"L x 34"D x 30"H



**Pedestal with 2 drawers  
and 1 filing drawer**  
27"H x 15"W x 20"D

## Foolscap Filing Cabinet with 4 drawers



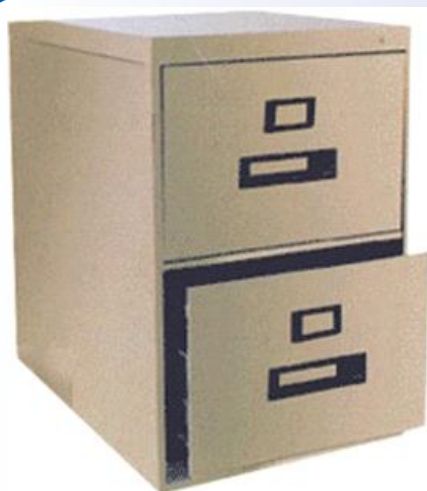
Cabinet size			
Model No.	Height	Width	Depth
SSSC-016 4/D	1375mm (54")	470mm (18 1/2")	700mm (27 1/2")

## Foolscaps Filing Cabinet with 3 drawers



Cabinet size			
Model No.	Height	Width	Depth
SSSC-015 3/D	1065mm (41 1/2")	470mm (18 1/2")	700mm (27 1/2")

## Foolscap Filing Cabinet with 2 drawers



Model No.	Cabinet size		
	Height	Width	Depth
SSSC-014 2/D	750mm (29")	470mm (18 1/2")	700mm (27 1/2")

## Regular Cupboard



Cabinet size		
Height	Width	Depth
1980mm (78")	914mm (36")	483mm (19")

## Card Index Cabinet with 4 drawers



Model No.	Cabinet size		
	Height	Width	Depth
SSSI 5 x 3	10"	12"	20"
SSSI 6 x 4	12"	14"	20"
SSSI 8 x 5	14"	18"	20"

# SPAS STORAGE SOLUTIONS

## Plan filing Cabinet with 6 drawers



Cabinet size			
Model No.	Height	Width	Depth
SSSF - 017	1110mm 44"	1140mm 45"	760mm 30"

## Shelving Rack



# SPAS STORAGE SOLUTIONS

## 2 Tier Rack with Connecting Staircase



# SPAS STORAGE SOLUTIONS

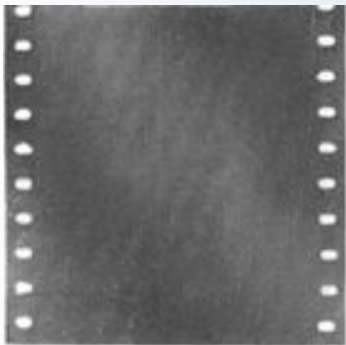
## Shelving Rack with Mezzanine floor





# SPAS STORAGE SOLUTIONS

## Shelving Rack with Mezzanine floor



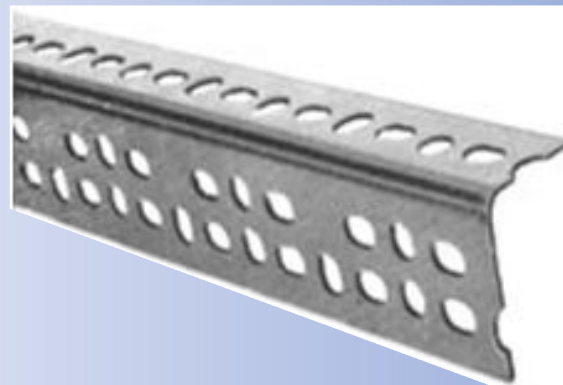
### SSA-35:

SIZE:35mmx2mm

**SFG:** SIZE: 40mmx150mmx40mmx2mm  
40mmx225mmx40mmx2mm

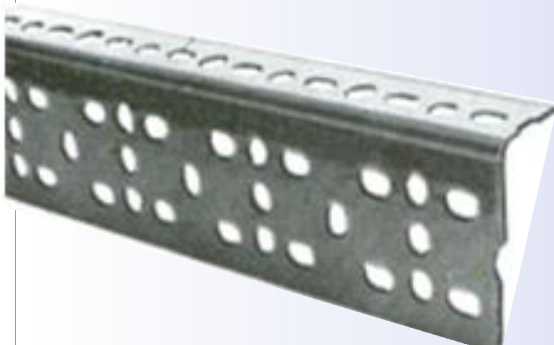
### SCS: STANDARD

HEIGHT-1200mm, 1000mm, 900mm, 600mm,  
WIDTH-225mm, 300mm, 375mm, 450mm,  
600mm, 900mm



### SSA-40

SIZE:40mmx40mmx2mm



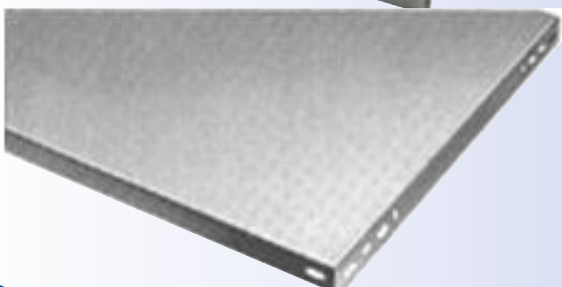
### SSA-60:

SIZE : 60mmx40mmx2mm

### SSA-40:

SIZE : 40mmx2mm

SIZE : 75mmx2mm



### SCP:

SIZE : 80mmx80mm

# SPAS STORAGE SOLUTIONS



## **SSS: STANDARD LENGTH**

900mm & 800mm

WITH-150mm, 225mm, 300mm, 375mm,  
450mm, 600mm.



## **SNB:**

Size : 8mmx16mm

8mmx124mm

## **SSA-80:**

SIZE : 80mmx40mmx2.5mm

## **SPP:**

HEIGHT-150mm, 300mm 375mm, 450mm, 600mm,

DEPTH-225mm, 300mm, 375mm, 450mm, 600mm

PALLET RACKING SYSTEM is designed to meet your requirement for a modern, economic and rational warehouse. Our SYSTEM will ensure the optimum solution to your storage problems of bulky & lengthy stores, Drums, timbers etc.

## **ADVANTAGES OF PALLET RACKING SYSTEM ARE**

- Light & easy to Handle
- No Bolt-Just Slot-in Connections
- Upright Frams + Beams = Quick erections
- Adjustable Shelf/ Loading Levels
- Wide range of accessories
- Available in various sizes & sections. Hence Maximum Utilization of Available space.

## **DIFFERENT TYPES OF STORAGE SYSTEMS CAN BE CONSTRUCTED WITH THE AID OF PALLET RACKING SYSTEM**

- Standard Pallet Racking for fork-Truck Operations.
- 2-3 Tier Racking Systems
- High-Rise Storage Structure.
- First in first out systems with/ without roller conveyors.
- Cantilever type racking.
- Multi-Tier storage structures.
- Long span shelving structures.
- Mezzanine floors.....etc.

## **Pallet Racking Components**

# SPAS STORAGE SOLUTIONS

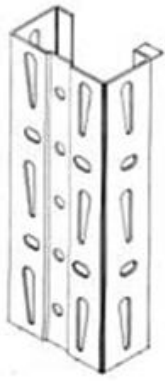
**Cantilever type racking**



**Long Span Shelving**



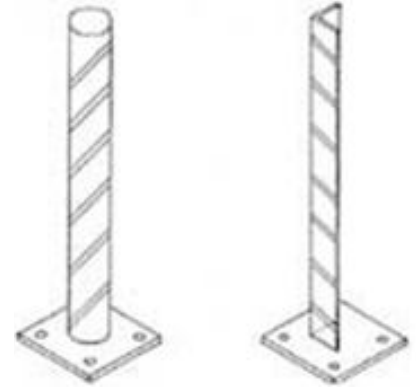




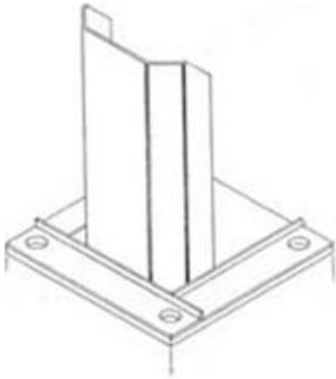
**Vertical Post  
(Pallet Rack)**



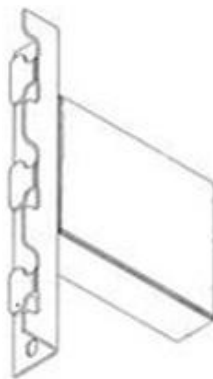
**Vertical Post  
(Pallet Rack)**



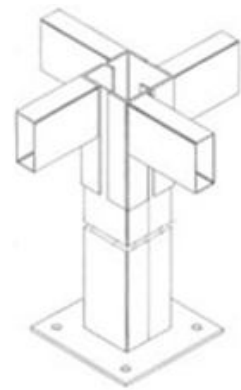
**Guard / End Column Guard**



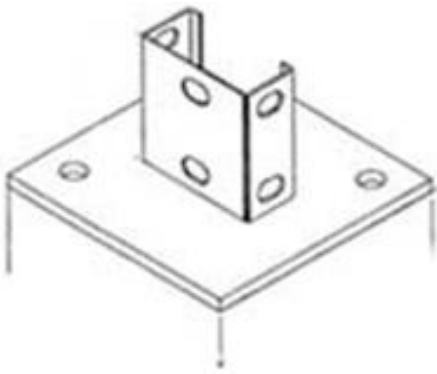
**Column Guard**



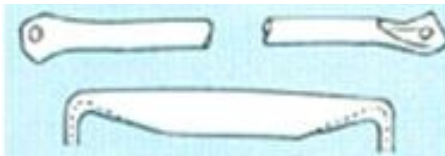
**Beam Connector**



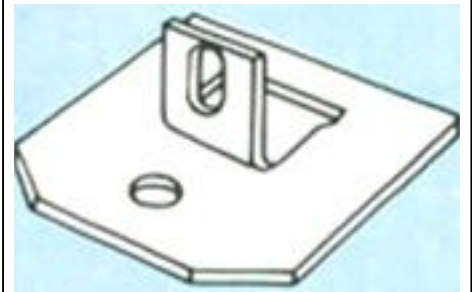
**Box Type Column**



**Base Plate with Column**



**D. & H. BRACINGS**



**FOOT PLATE**